



Shift Light Screen:

```
LIGHT 1
Shift RPM 6200
```

Use Switch 1 to decrease the value being configured and Switch 2 to increase it. The values will change in 10 RPM increments. The rate at which the value increases or decreases accelerates while the switch is being held down.

Press Switch 3 to edit the next Shift Light value.

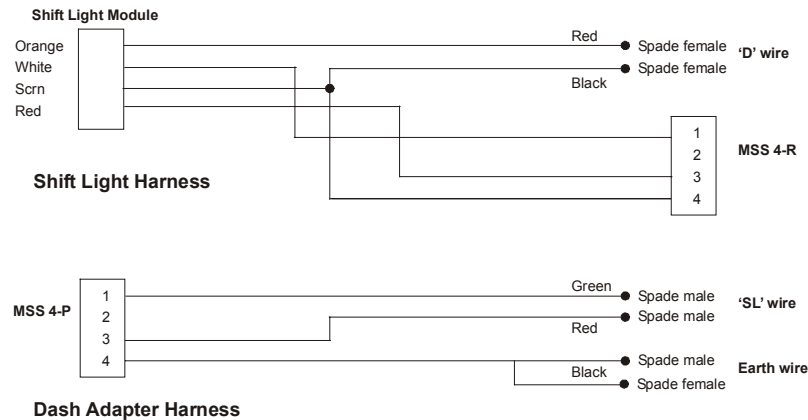
```
LIGHT 2
Shift RPM 6400
```

Continue pressing Switch 3 to edit the remaining Shift Light values.

When all the individual Shift Lights have been configured, the Edit Shift screen will be re-displayed.

Now press Switch 3 to move on to the next menu item.

Wiring Harness Diagram



ST539 5-LED Multi-Stage Shift Light Module Users Guide Addendum

Introduction

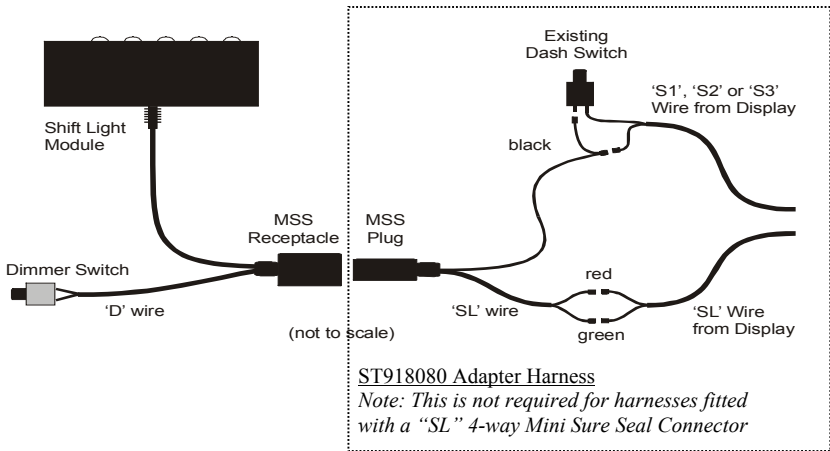
The ST539 5-LED Multi-Stage Shift Light Module is designed for use with Stack Display Modules introduced throughout 2006 and beyond. It has the following features:

- Five ultra-bright LED lamps:
3 x Amber, 1 x Red and 1 x Blue
- Day-time/night-time brightness levels via a single push-button
- Simple three wire or 4-way Mini Sure Seal connection
- Compact and easy to fit

Mounting the Sequential Shift Light

- Site the Shift Light Module in front of the driver so that the LEDs can be seen while seated in the car.
- Mount it using the Dual Lock™ tape supplied or use the M3 tapped holes (10mm max. depth) in the body of the Shift Lamp Module.
- If you wish to take advantage of the night-time illumination level, mount the push-button Dimmer Switch within easy reach of the driver.

Wiring the Sequential Shift Light



Referring to the diagram above:

- Identify the 'SL' wire on the Display System harness. If this is a 4-way Mini Sure Connector then the adapter harness that comes with the ST539 is not required and the shift light plugs straight into the SL connector.
- If the 'SL' wire on the Display System harness ends with two female spades then connect the red and green spade connectors on the short adapter harness to the same colour receptacles on the display harness.
- Remove a black spade connector from one of the existing Display System switches and connect the short black extension wire to the switch. Re-connect the original switch wire to the male connector on the extension wire.
- Connect the red and black spade connectors on the 'D' wire to the Dimmer Switch (if required).

Configuring the Stack Display Module

The five LEDs can be made to illuminate in sequence with each one coming on at your own configured engine speeds.

For example, the first LED can be set to illuminate at 6200 RPM. Then both the first and second LEDs can be set to illuminate at 6400 RPM.

An extra LED will illuminate in sequence at further RPM values until all five are lit.

Put the Display System into System Configuration Mode by pressing Switches 1 and 2 together. Then work through the configurable parameters by pressing Switch 3 until Edit Shift is displayed.

Edit Shift Menu:



Press Switches 1 and 2 together and the Shift Light screen will be shown.